

Dynoman Performance Piston Kit Installation Information

60 and 61mm Pistons

RING GAP

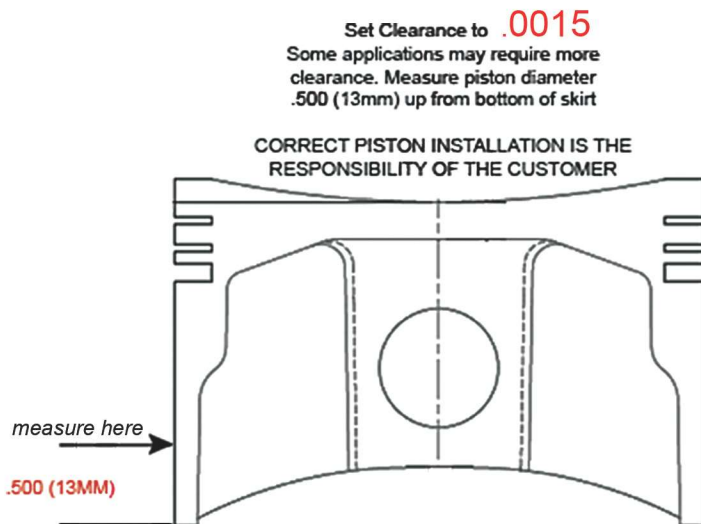
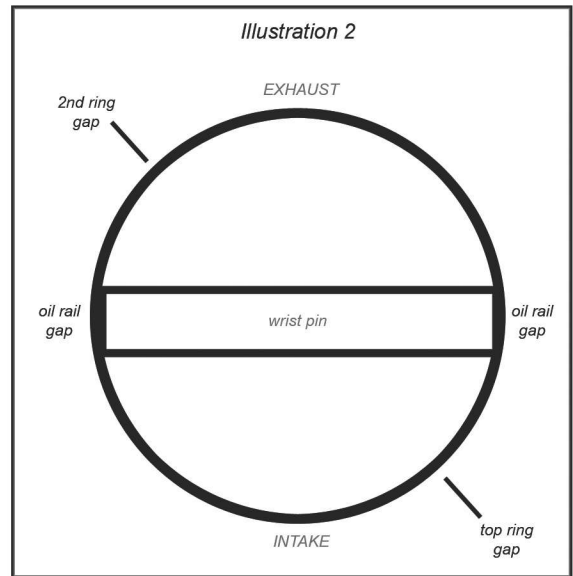
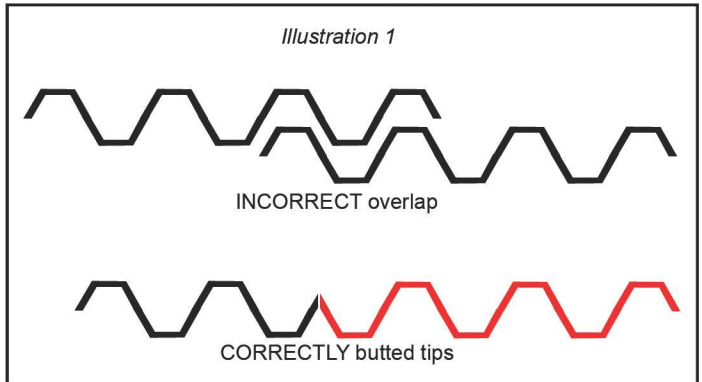
****Ring gap must be checked to avoid engine damage****

Check end gap by placing ring into corresponding cylinder.
Use the piston to square the ring inside the bore.
Check ring gap with feeler gauge.

Being too loose is much better than being too tight!
Too tight can cause engine damage.

ADJUST RING GAP & STONE EDGES

Use end gap tool if available. Otherwise place end of small file in vice. File in one direction only to open gap, pushing the ring toward the vice.
File until desired end gap is achieved.
Then stone all edges of the ring tips to remove sharp edges and burrs.
Failure to remove burrs and sharp edges could cause engine damage!



RING INSTALLATION

Ring marks always go up.

Silver or chrome rings are always the Top ring. If there are no markings, then rings can be installed with either side up. Oil ring rails can usually be installed without modifying the end gap. However we always recommend checking them, minimum gap for oil rings is .010". See Illus. 1 for proper oil ring expander overlap. See Illus. 2 for proper end gap spacing.